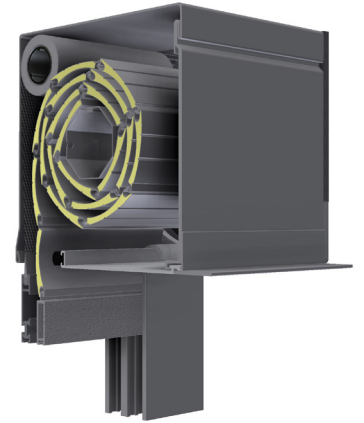




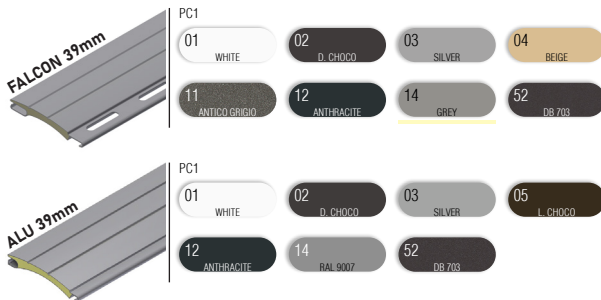
External CONCEALED roller shutter 90°



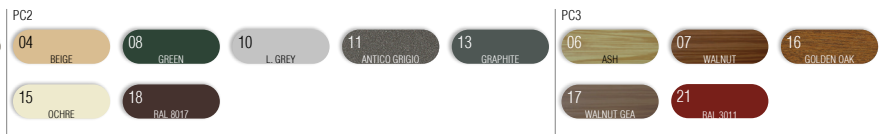
- HEAT PROTECTION
- ANTI-THEFT PROTECTION
- LIGHT REGULATION
- DIMMING
- UV PROTECTION
- HEATING / COOLING SAVINGS

External CONCEALED roller shutter 90° with ALU cabinet, closed on all sides. Bottom revision cover and insulation bracket made of thick-walled extruded aluminium, which ensures the compactness and durability of the cabinet. Cabinet comes with a brush that prevents insects from entering the room. The shaft is galvanized and mounted on aluminium end cap with ball bearings. Guiderails are aesthetically finished with plastic ends and fixed brushes for quieter operation. Weighted end slats made from aluminium. Roll-up mosquito net including the brake for easier lifting.

SLATS | Color palette:

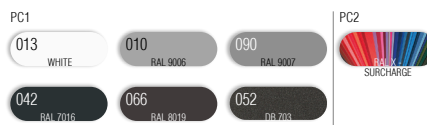
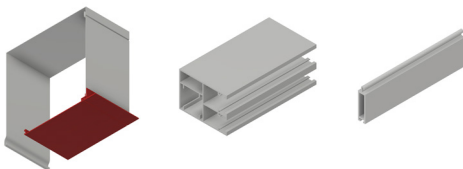


ALU slats are filled with insulation – polyurethane foam, standard fitted with anti-theft springs. Machine slat binding ensures a quieter and more reliable operation.



WARNING: Certain colours on the chart may vary from original!

CABINET, GUIDERAILS, END SLAT | Color palette:



WARNING: Certain colours on the chart may vary from original!

MANIPULATION:



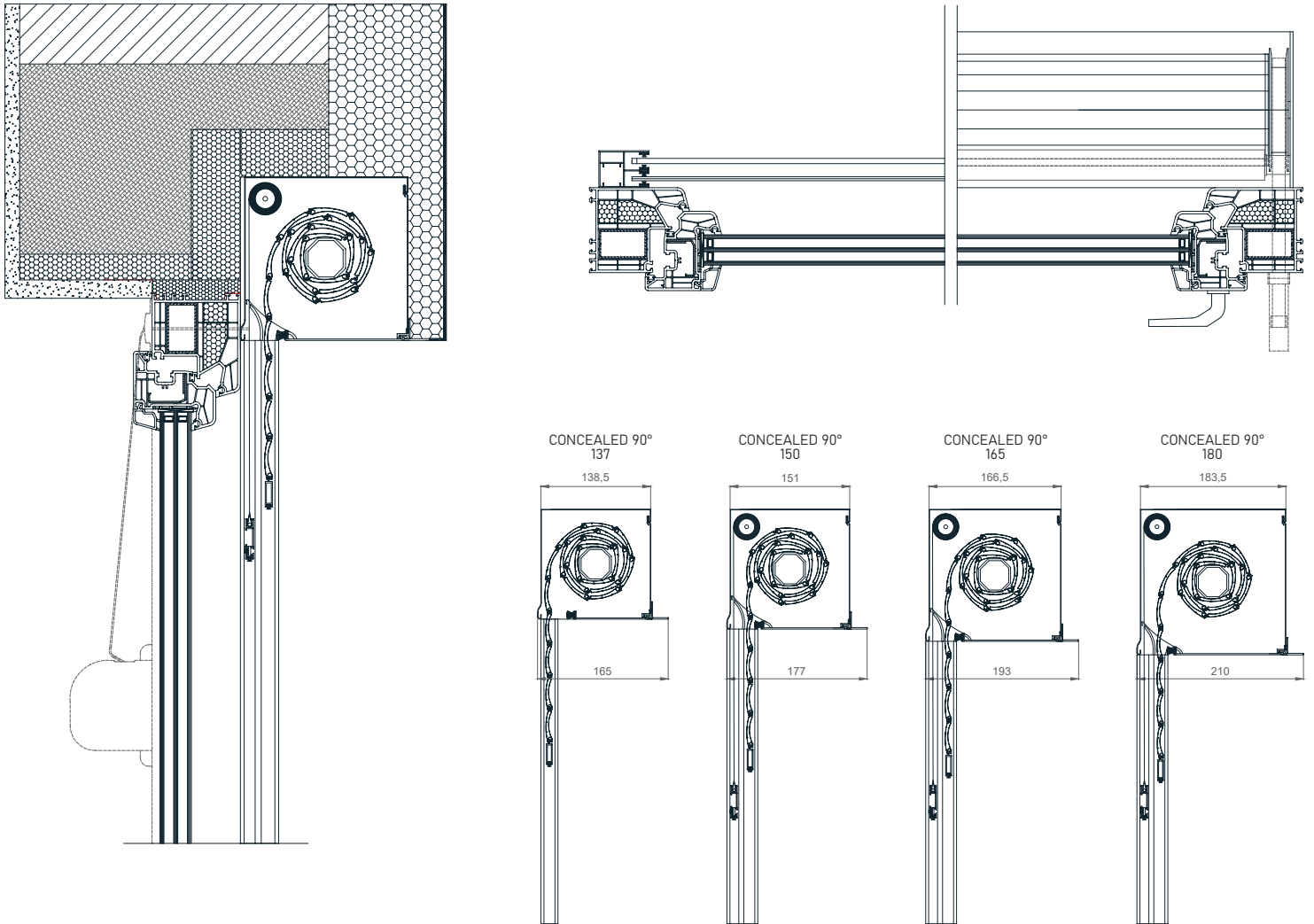
Manipulation is possible with automaton or electrical motor. For motor operation there is the standard PLUG & PLAY function, which allows the connection of several motors to a single switch, self-adjusting positions and the safety function in the event of an obstacle.



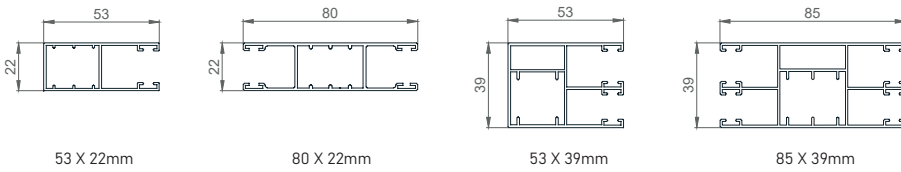
External CONCEALED roller shutter 90°



TEHNICAL DRAWINGS | Shade details:



GUIDERAILS



SLATS

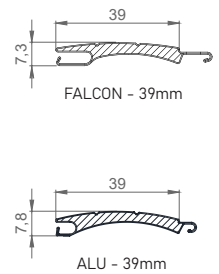


TABLE OF BOX (CABINET) SIZES

Slat/Shaft cabinet size	FALCON / 60mm		ALU / 40mm		ALU / 60mm	
		MOS.		MOS.		MOS.
13,7 cm	105,0	-	173,9	-	146,3	-
15,0 cm	130,0	105,0	204,9	150,8	189,9	139,9
16,5 cm	195,0	130,0	265,0	202,3	249,9	199,9
18,0 cm	245,0	210,0	319,9	255*	309,9	255*
19,0 cm	270,0	250,0	-	-	-	-
20,5 cm	-	-	407,1	*	376,2	*