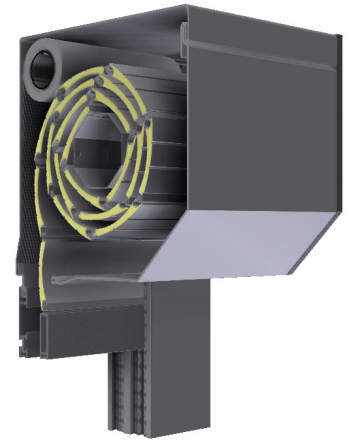
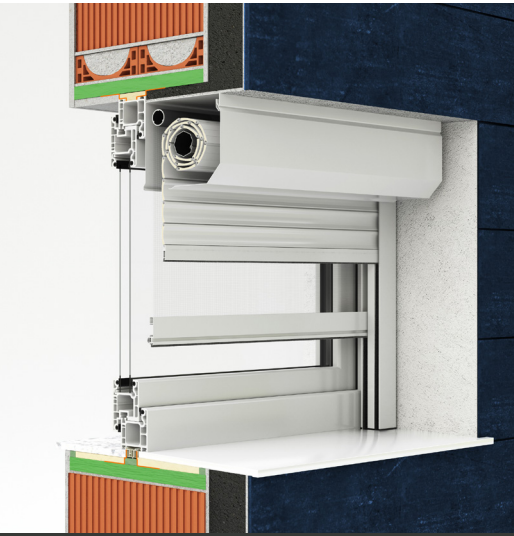




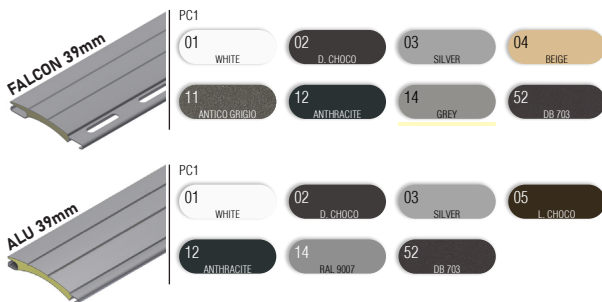
External roller shutter IDEAL



- HEAT PROTECTION
- ANTI-THEFT PROTECTION
- LIGHT REGULATION
- DIMMING
- UV PROTECTION
- HEATING / COOLING SAVINGS

External roller shutter IDEAL with ALU cabinet, closed on all sides. The shaft is galvanized and mounted on aluminium end cap with ball bearings. Guiderails are aesthetically finished with plastic ends and fixed brushes for quieter operation. Weighted end slats made from aluminium. Roll-up mosquito net including the brake for easier lifting.

SLATS | Color palette:

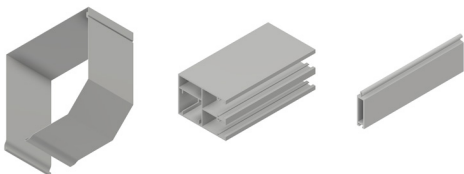


ALU slats are filled with insulation – polyurethane foam, standard fitted with anti-theft springs. Machine slat binding ensures a quieter and more reliable operation.



WARNING: Certain colours on the chart may vary from original!

CABINET, GUIDERAILS, END SLAT | Color palette:



WARNING: Certain colours on the chart may vary from original!



MANIPULATION:

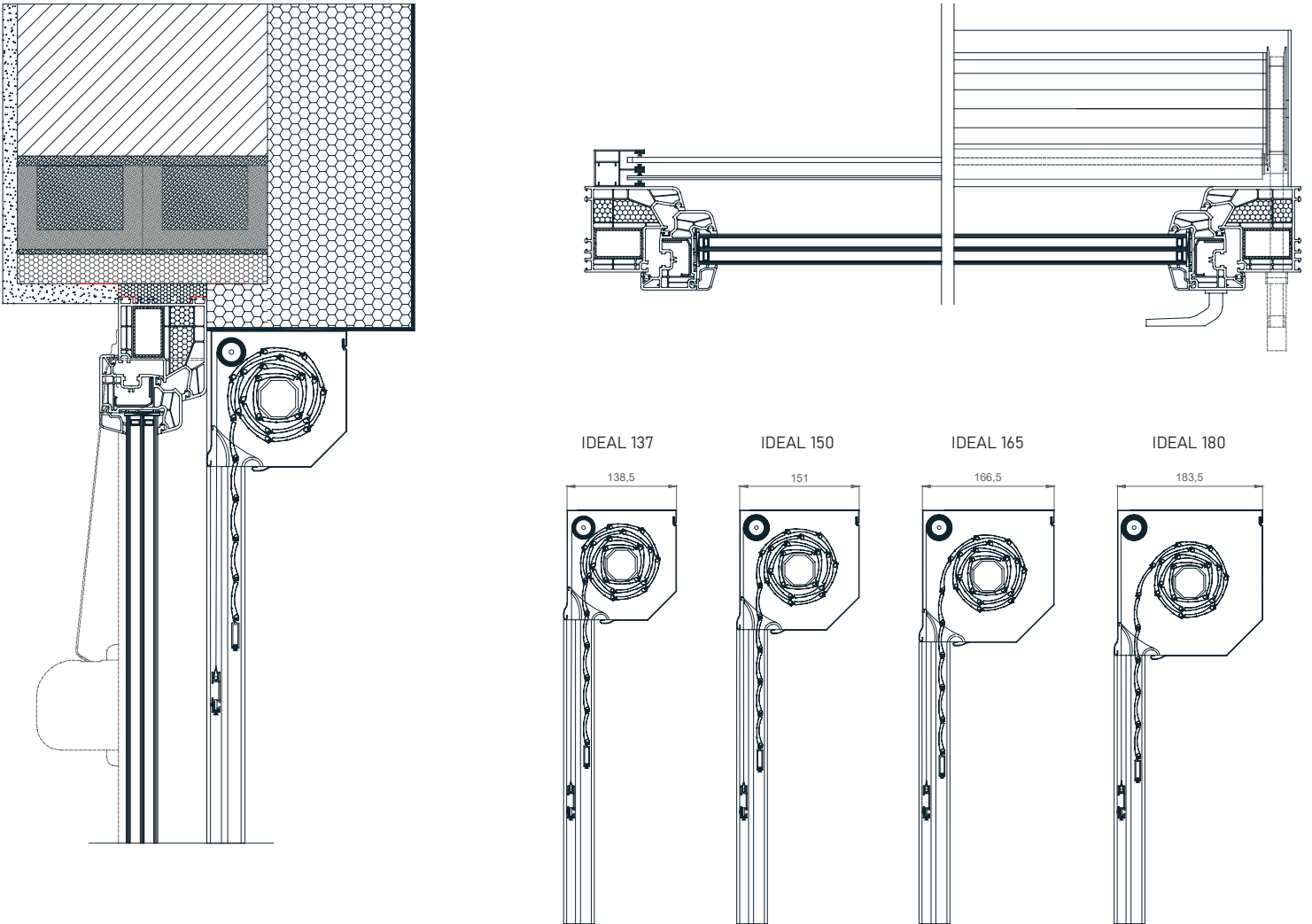


Manipulation is possible with automaton or electrical motor. For motor operation there is the standard PLUG & PLAY function, which allows the connection of several motors to a single switch, self-adjusting positions and the safety function in the event of an obstacle.

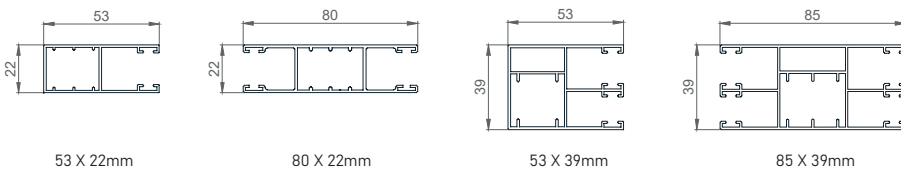
External roller shutter IDEAL



TEHNICAL DRAWINGS | Shade details:



GUIDERAILS



SLATS

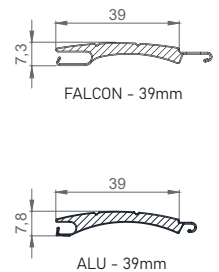


TABLE OF BOX (CABINET) SIZES

| Slat/Shaft cabinet size | FALCON / 60mm | | ALU / 40mm | | ALU / 60mm | |
|-------------------------|---------------|-------|------------|-------|------------|-------|
| | | MOS. | | MOS. | | MOS. |
| 13,7 cm | 105,0 | - | 173,9 | - | 146,3 | - |
| 15,0 cm | 130,0 | 105,0 | 204,9 | 150,8 | 189,9 | 139,9 |
| 16,5 cm | 195,0 | 130,0 | 265,0 | 202,3 | 249,9 | 199,9 |
| 18,0 cm | 245,0 | 210,0 | 319,9 | 255* | 309,9 | 255* |
| 19,0 cm | 270,0 | 250,0 | - | - | - | - |
| 20,5 cm | - | - | 407,1 | * | 376,2 | * |