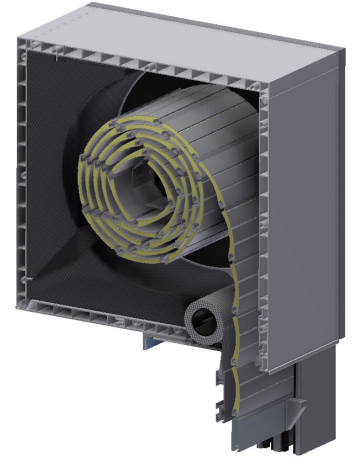




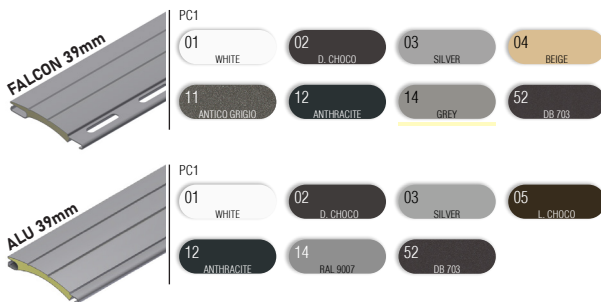
Built-in roller shutter INLINE 225



- **HEAT PROTECTION**
- **ANTI-THEFT PROTECTION**
- **LIGHT REGULATION**
- **DIMMING**
- **UV PROTECTION**
- **HEATING / COOLING SAVINGS**

New sistem completely developed in our company - Roletarstvo Medle d.o.o. is the above window roller shutter INLINE 225 - dimensions: 225x230mm. It is distinguished by particularly attractive design, the possibility of protection against insects, possibility of visible or invisible (concealed) installation, excellent insulation, stronger construction and simple - economical installation with additional sealing between the window and the cabinet. Suitable for installation on all types of window frames depth up to 94mm.

SLATS | Color palette:

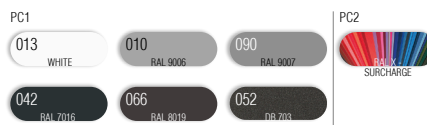
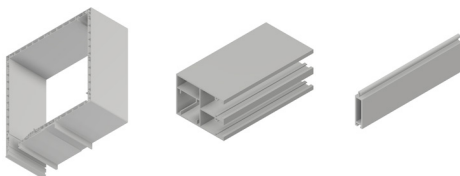


ALU slats are filled with insulation - polyurethane foam, standard fitted with anti-theft springs. Machine slat binding ensures a quieter and more reliable operation.



WARNING: Certain colours on the chart may vary from original!

CABINET, GUIDERAILS, END SLAT | Color palette:



WARNING: Certain colours on the chart may vary from original!



MANIPULATION:

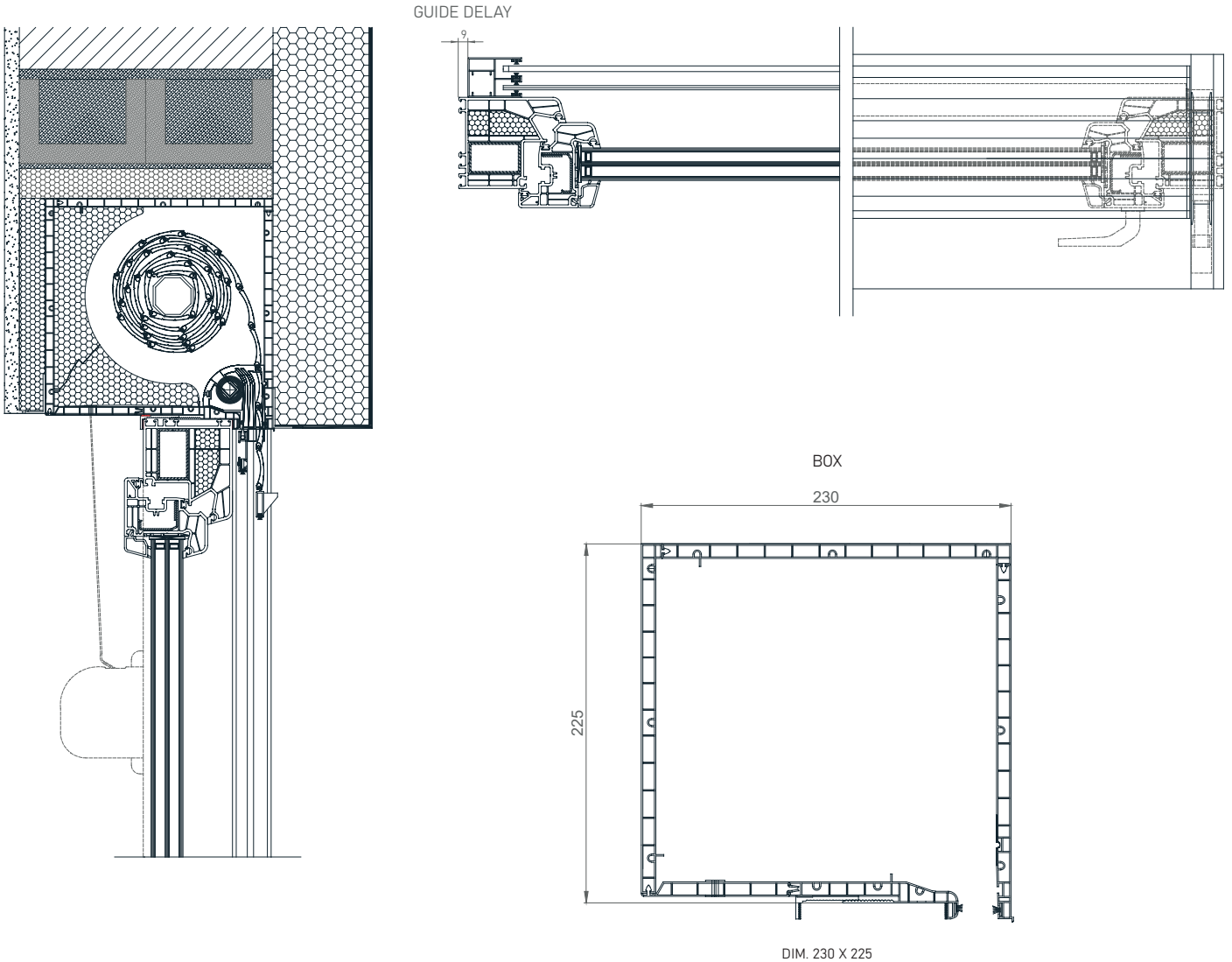


Manipulation is possible with automaton or electrical motor. For motor operation there is the standard PLUG & PLAY function, which allows the connection of several motors to a single switch, self-adjusting positions and the safety function in the event of an obstacle.

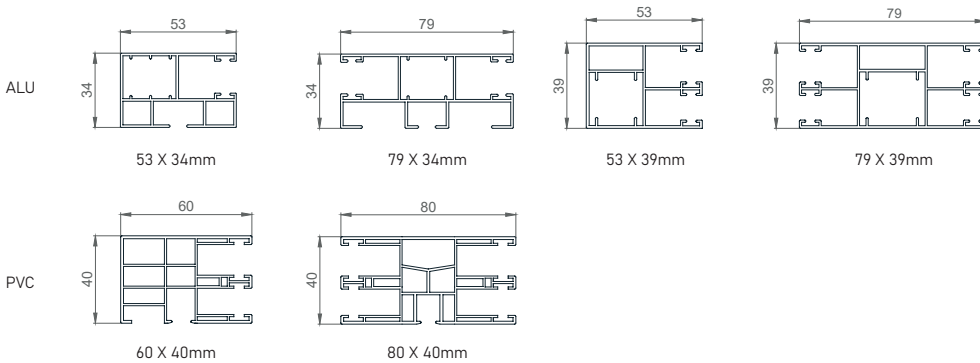
Built-in roller shutter INLINE 225



TEHNICAL DRAWINGS | Shade details:



GUIDERAILS



SLATS

