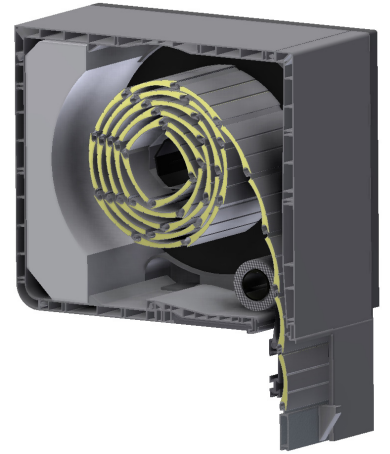
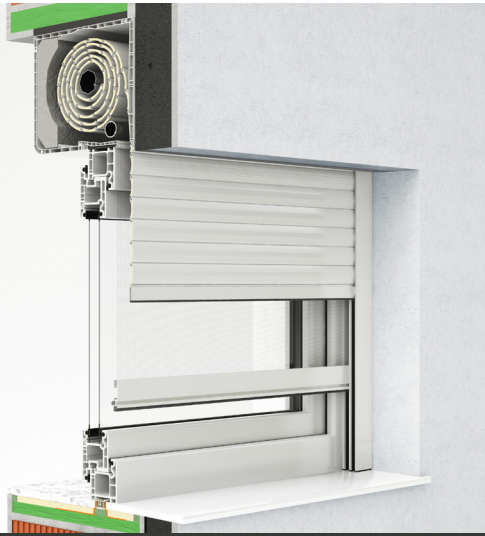




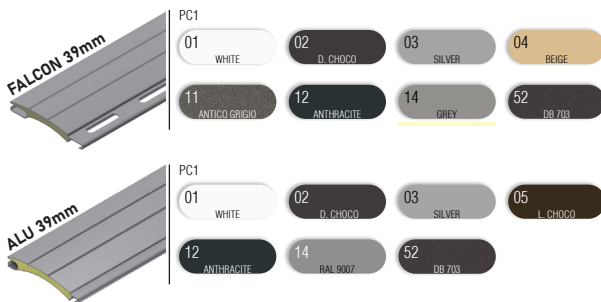
Built-in roller shutter MULTI-ROLLBOX



- HEAT PROTECTION
- ANTI-THEFT PROTECTION
- LIGHT REGULATION
- DIMMING
- UV PROTECTION
- HEATING / COOLING SAVINGS

The first type of built-in roller shutters is the shutter with a PVC built-in box, MULTI-ROLLBOX with dimensions 200x230 mm. It is distinguished by particularly attractive curved design, optionally mounted insect screen, excellent insulation, stronger construction, and a simple economical installation, where the box can be mounted to remain visible or installed under facade. Suitable for installation on all types of windows.

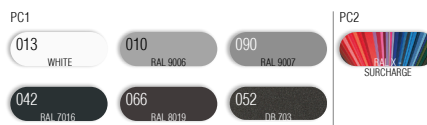
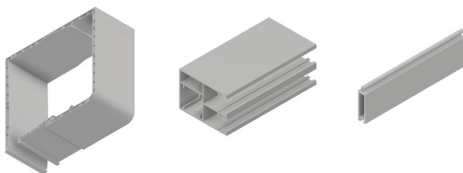
SLATS | Color palette:



ALU slats are filled with insulation – polyurethane foam, standard fitted with anti-theft springs. Machine slat binding ensures a quieter and more reliable operation.

WARNING: Certain colours on the chart may vary from original!

CABINET, GUIDERAILS, END SLAT | Color palette:



WARNING: Certain colours on the chart may vary from original!



MANIPULATION:

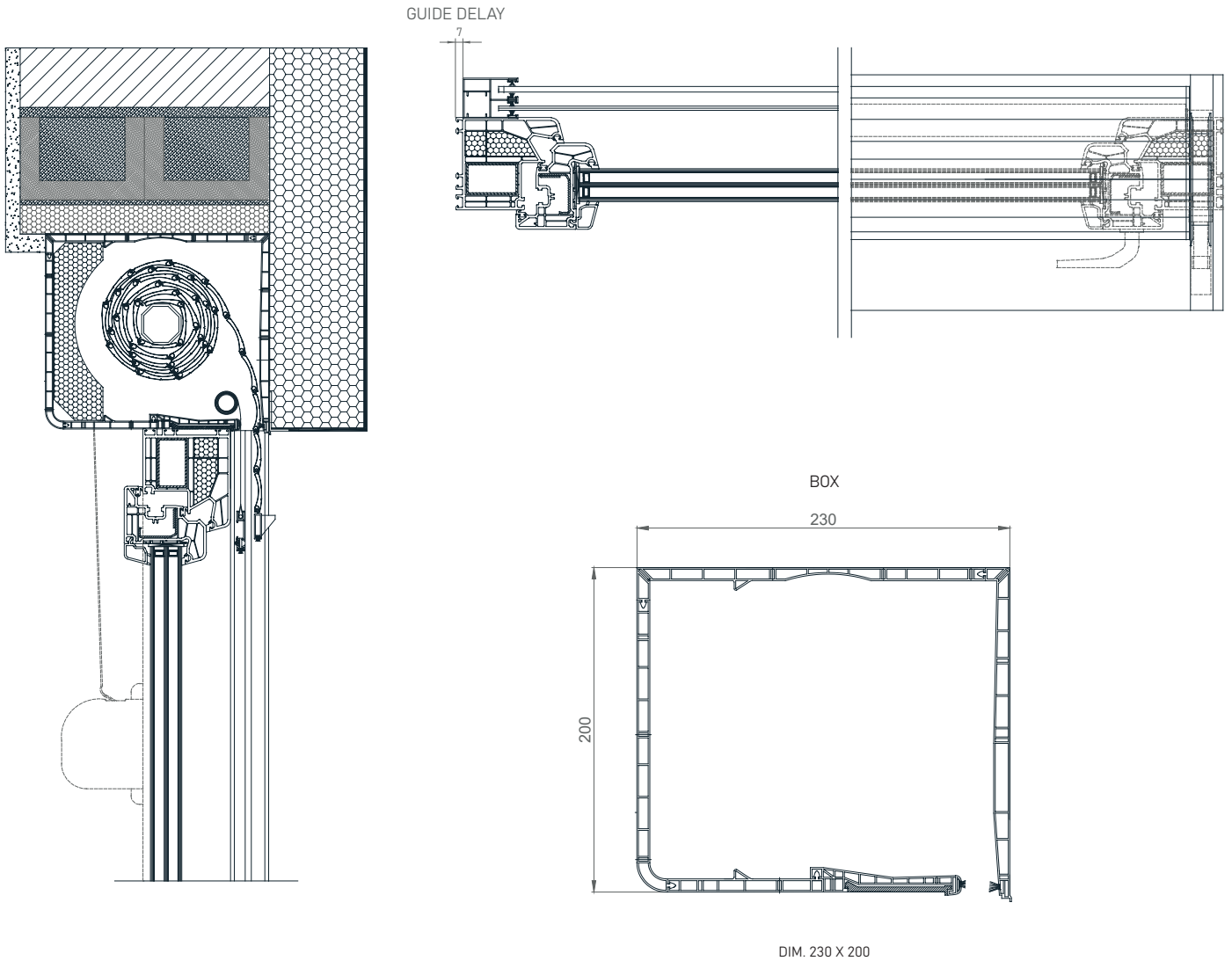


Manipulation is possible with automaton or electrical motor. For motor operation there is the standard PLUG & PLAY function, which allows the connection of several motors to a single switch, self-adjusting positions and the safety function in the event of an obstacle.

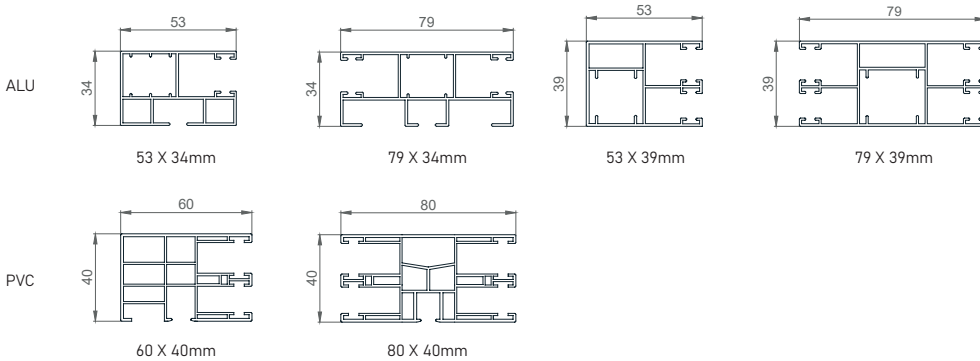
Built-in roller shutter MULTI-ROLLBOX



TEHNICAL DRAWINGS | Shade details:



GUIDERAILS



SLATS

