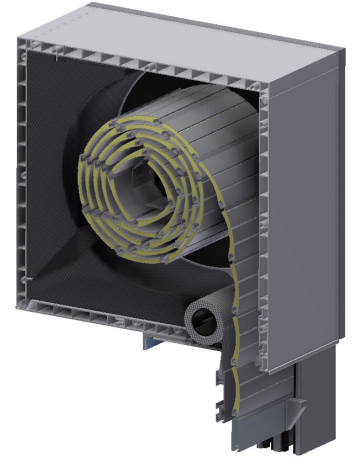




Built-in roller shutter INLINE 225



- **HEAT PROTECTION**
- **ANTI-THEFT PROTECTION**
- **LIGHT REGULATION**
- **DIMMING**
- **UV PROTECTION**
- **HEATING / COOLING SAVINGS**

New sistem completely developed in our company - Roletarstvo Medle d.o.o. is the above window roller shutter INLINE 225 - dimensions: 225x230mm. It is distinguished by particularly attractive design, the possibility of protection against insects, possibility of visible or invisible (concealed) installation, excellent insulation, stronger construction and simple - economical installation with additional sealing between the window and the cabinet. Suitable for installation on all types of window frames depth up to 94mm.

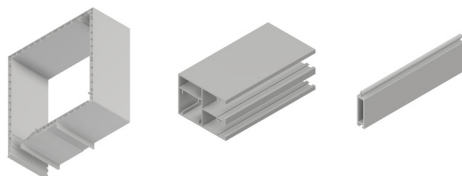
SLATS | Color palette:

WARNING: Certain colours on the chart may vary from original!

	PC1	01 WHITE	02 D. CHOOD	03 SILVER	05 L. CHOOD	PC2	04 BEIGE	08 GREEN	10 L. GREY	11 ANTIKO GRISO	13 GRAPHITE	PC3	06 ASH	07 WALNUT	16 GOLDEN OAK
		12 ANTHRACITE	14 RAL 9007	52 EB 703			15 OCHRE	18 RAL 8017					17 WALNUT SEA	21 RAL 3001	
	PC1	01 WHITE	02 D. CHOOD	03 SILVER	04 BEIGE										
		11 ANTIKO GRISO	12 ANTHRACITE	14 GREY	52 EB 703										
	PC1	01 WHITE	03 SILVER												
		12 ANTHRACITE	52 EB 703												

ALU slats are filled with insulation - polyurethane foam, standard fitted with anti-theft springs. Machine slat binding ensures a quieter and more reliable operation.

CABINET, GUIDERAILS, END SLAT | Color palette:



PC1	013 WHITE	010 RAL 9006	090 RAL 9007	
	042 RAL 7005	066 RAL 8012	052 EB 703	

WARNING: Certain colours on the chart may vary from original!



MANIPULATION:

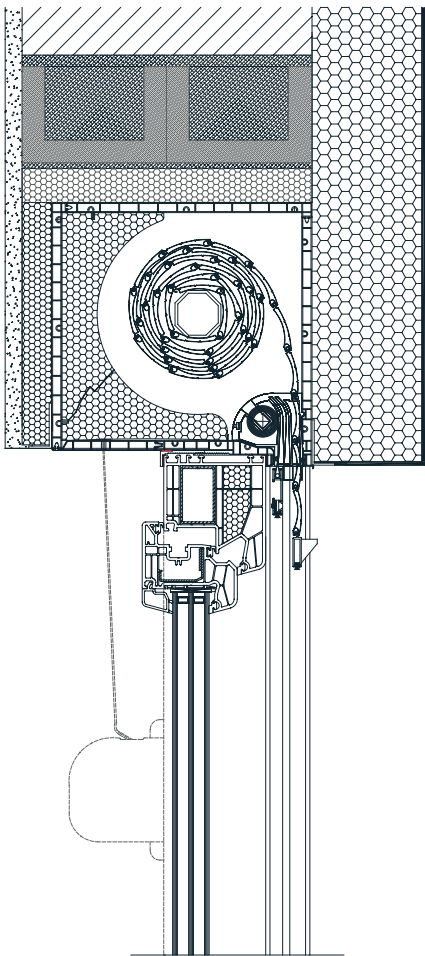


Manipulation is possible with automaton or electrical motor. For motor operation there is the standard PLUG & PLAY function, which allows the connection of several motors to a single switch, self-adjusting positions and the safety function in the event of an obstacle.

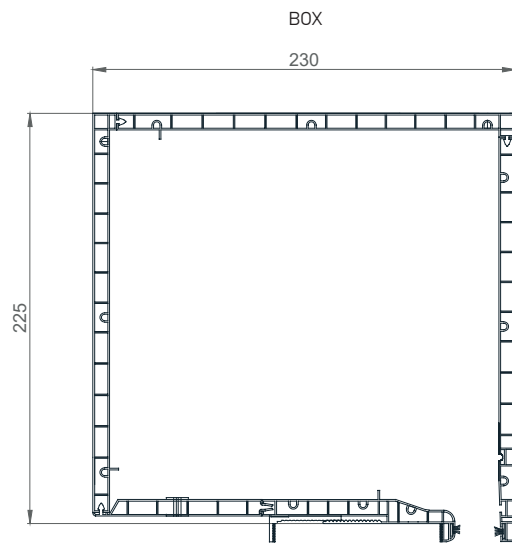
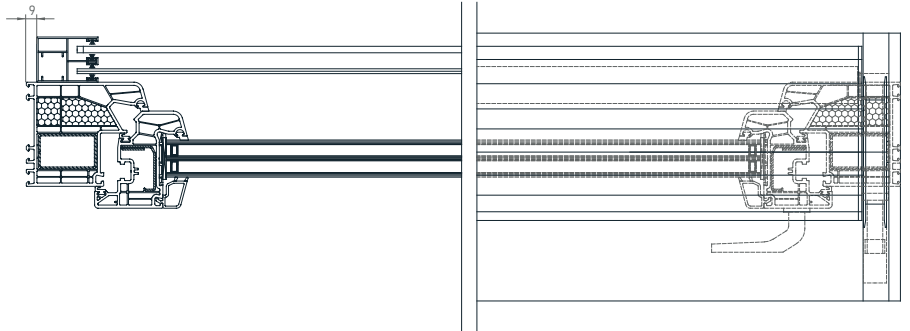
Built-in roller shutter INLINE 225



TEHNICAL DRAWINGS | Shade details:

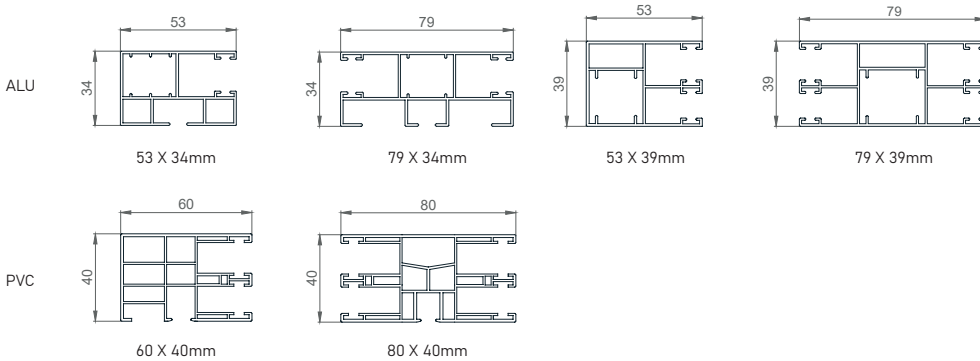


GUIDE DELAY



DIM. 230 X 225

GUIDERAILS



SLATS

